

**DESCRIPTION**

The Infrared Wireless Microphone System using this IR-820SP is a PA system designed for use in the school classrooms assuming that their size is about 10 m × 10 m (30 ft × 30 ft). The IR-820SP is a ceiling-mounted powered speaker with the infrared receiver and offers a wide frequency range of high-quality sound output. It features a digital amplifier for the amplification section, and a full-range speaker for the speaker section.

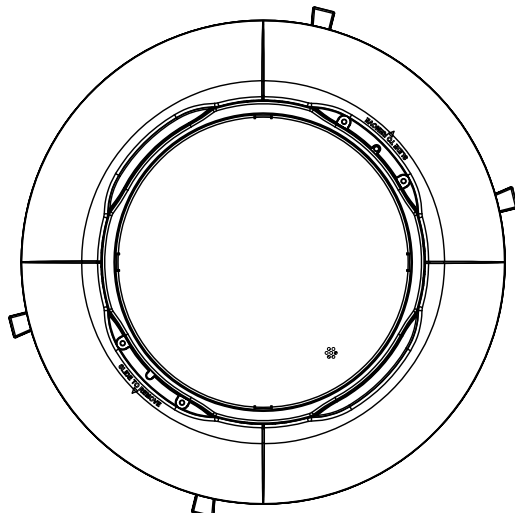
Use of the supplied mounting hardware and optional HY-TB1 Tile Bar Bridge permits it to be versatilely mounted to match a wide range of applications and installation locations. This speaker is combined with an infrared wireless microphone and the IR-802T Infrared Wireless Tuner to make up the infrared wireless microphone system.

The infrared microphone system eliminates problems with interference or eavesdropping, allowing simultaneous use in adjacent school classrooms.

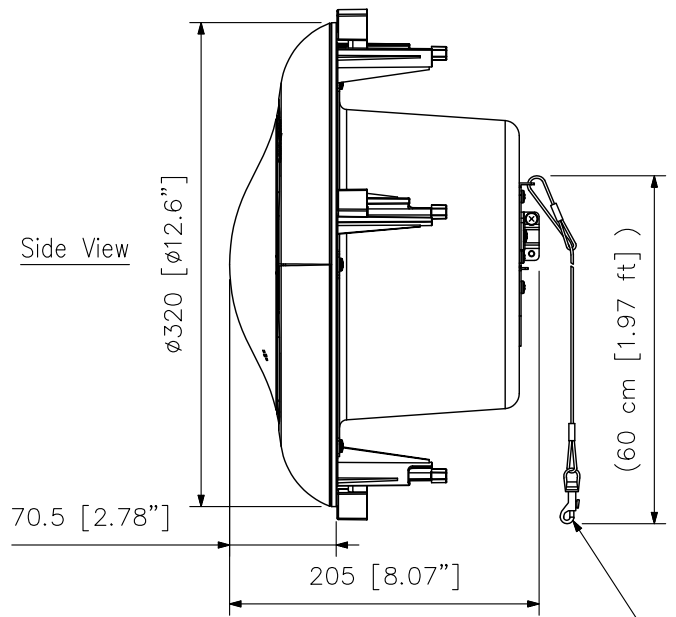
**SPECIFICATIONS**

Power Source	24 V DC (supplied from IR-802T)
Power Consumption	4.4 W (based on UL standards)
Rated Output	20 W
Frequency Response	100 Hz - 20 kHz (-10 dB) at installation in 1/2 free sound field (Measured by installing the unit in the center of a ceiling.)
Amplification System	Class D
Distortion	5 % or less (rated output)
Speaker Component	12 cm (4.72") cone-type
Infrared Wireless Receiver	
Wavelength	870 nm
Carrier Frequency	Teacher (Channel A): 3.100 MHz Student (Channel B): 3.350 MHz
Reception Angle	360° (Horizontal)
Connection Terminal	RJ-45
LED Indicator	Power (green) × 1
UL Code	UL60065, UL2043
Mounting Hole	ø300 mm (ø11.81")
Usage Cable	CAT-5 UTP
Operating Temperature	-10 °C to +50 °C (14 °F to 122 °F)
Operating Humidity	90 %RH or less (no condensation)
Finish	Enclosure: Steel plate, plating Baffle: Fire-resistant ABS resin (resin material grade: UL94V-0), white Punched net: Steel plate, white Filter section: Polycarbonate, optical cut filter
Dimensions	ø320 × 205 (D) mm (ø12.6" × 8.07")
Weight	3.4 kg (7.5 lb)
Accessory	Safety wire ×1, Ceiling reinforcement ring ×1, Trim ring ×1, Paper pattern ×1
Option	Tile bar bridge: HY-TB1

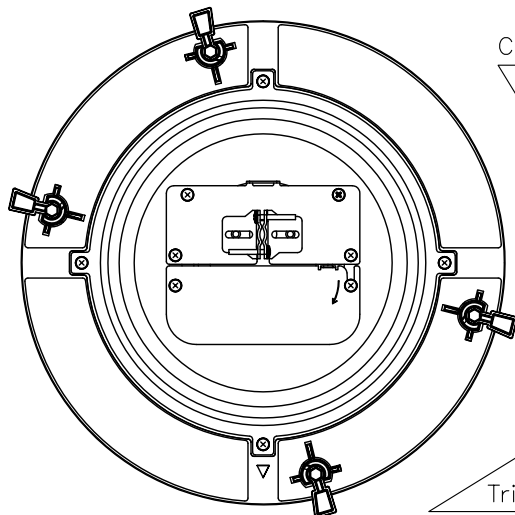
■ APPEARANCE



Front View

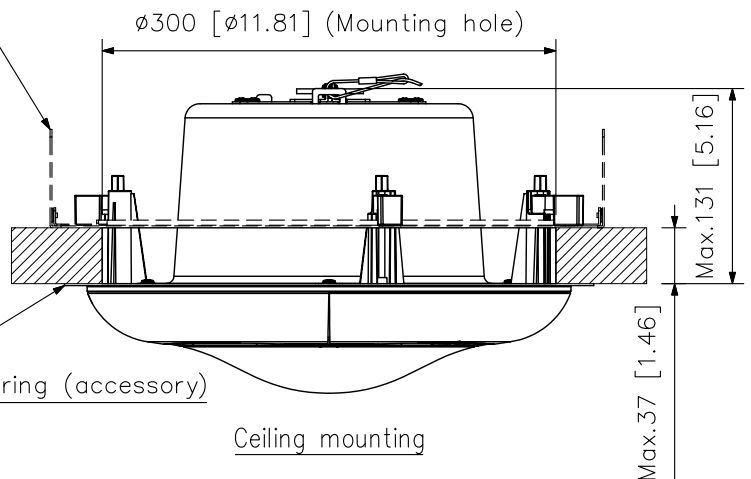


Side View

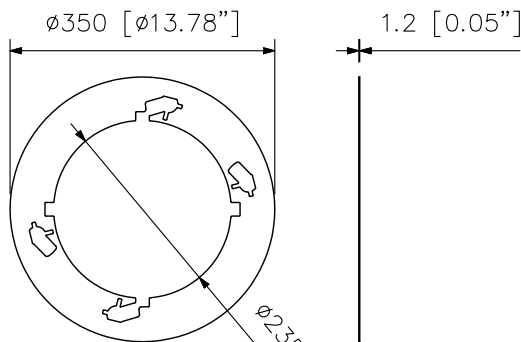


Rear View

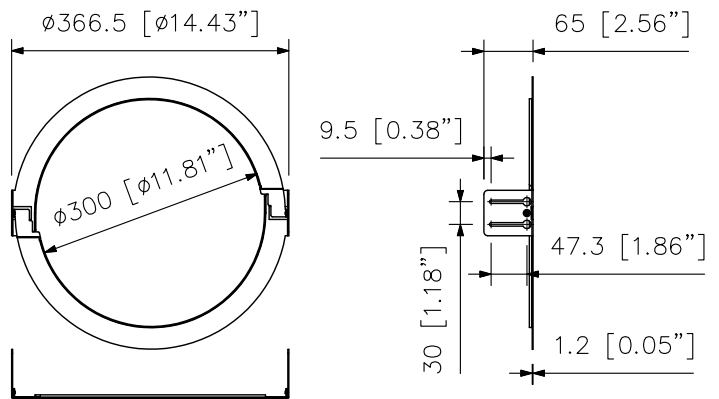
Ceiling reinforcement ring (accessory)



Ceiling mounting



Trim ring (accessory)



Ceiling reinforcement ring (accessory)

UNIT:mm SCALE:1/5 Note: The dimensions related to the antennas apply only to EA version of the Wireless sets.