

DESCRIPTION

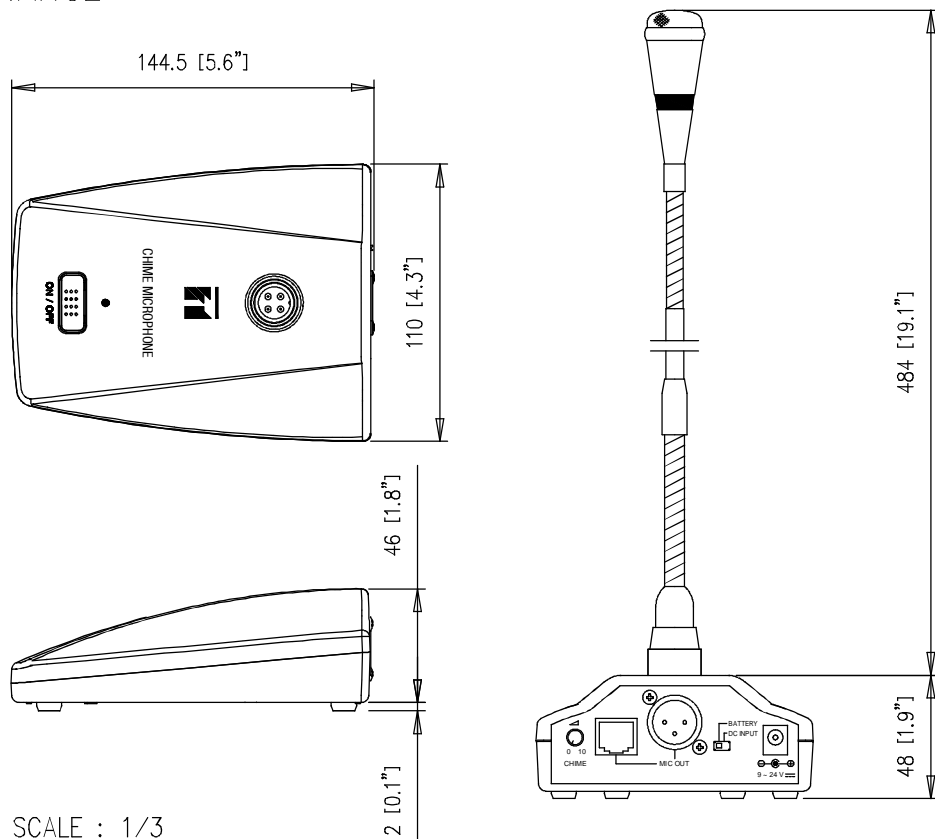
The EC-380-AS is a condenser microphone be equipped with a electrical chime and suitable use for paging applications. This product can be operated easily with four batteries or optional DC power source between 9 V to 24 V . The chime tone is up and down which output it can be set by valume control.

SPECIFICATIONS

Power Source	6 V DC (4 X "AA" batteries) or DC adapter : 9 ~ 24 V
Current Consumption	13 mA during chime and 6 mA microphone operation
Microphone element	Condenser
Polar Pattern	Cardioid
Chime Tones	4-Tones Chime (UP/DOWN)
Rated Impedance	600Ω, Balanced
Output	Microphone : -41 dB ±3 dB (1 kHz 0dB=1V/Pa)
	Chime Tones : -31 dB ±3 dB (maximum position)
Frequency Response Mic.	50 Hz ~ 18,000 Hz
Output Connector	XLR-3-32 Equivalent
	RJ45 : Audio Output, power supply and contact output
Operating Temperature	0 °C ~ 40 °C (32 °F ~ 104 °F)
Finish	Stand Mic : ABS Resin, Black, Paint
	Mic shaft :Copper alloy, Black, Paint
Dimensions	110 (W) x 145 (L) x 532 (H) mm (4.3" x 5.7" x 20.9")
Weight	558 g (exclude batteries)
Accessory	Windscreen..... 1, XLR Cable Stereo Phone Plug (7.5m)..... 1

Note: Prepare 4 batteries (not supplied with the unit)

APPEARANCE



UNIT : mm [in] SCALE : 1/3