

■ SPECIFICATIONS

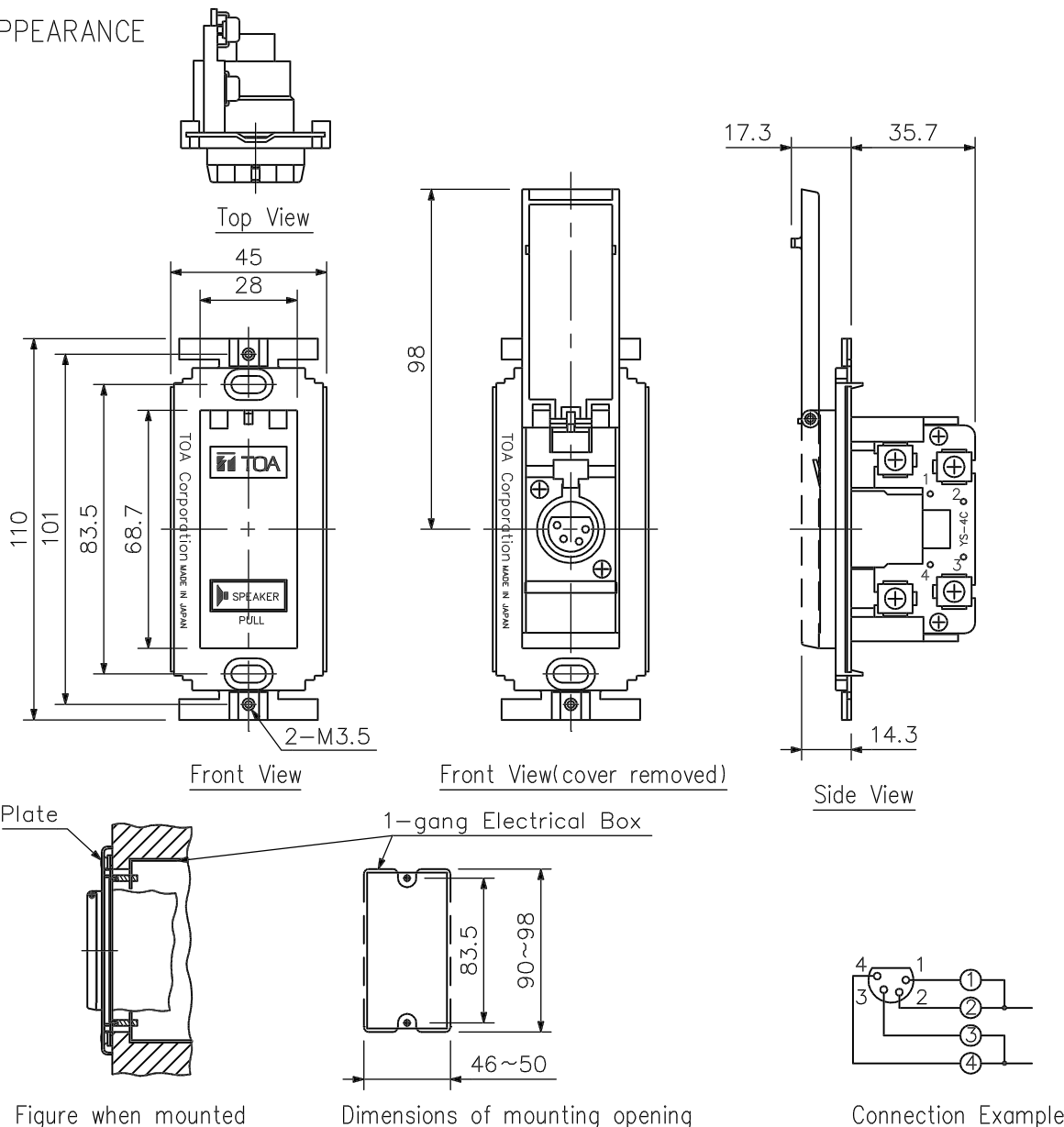
Connector	XLR-4-31-F77
Current Capacity	10 A (AC)
Usable Cable	600 V vinyl-insulated cable with diameter of 0.8 ~ 1.6 mm or sectional area of 0.9 ~ 2.0 mm ²
Usable Plate	YP-1AF
Usable Plug	XLR-4-12C
Finish	Cover : ABS resin (off white) Frame : Steel plate (t=1.2)
Dimensions	45 (W) × 110 (H) × 53 (D) mm
Weight	95 g
Accessory	Screw M4 × 35.....2

※When routing a power or speaker line and a microphone line through the same electric box, provide a barrier between the two for insulation.

※Select the cable with sectional area and diameter suited to the speaker current.

※If a thick cable is used, the circuit board can be damaged when mounting the YS-4CF in an electrical box. Take care that excessive force is not applied to the circuit board when mounting.

■ APPEARANCE



UNIT:mm SCALE:1/2

If the opening is too small or too large, the YS-4CF cannot be mounted in the wall. Be sure to make an opening with dimensions given above when mounting.