

■ SPECIFICATIONS

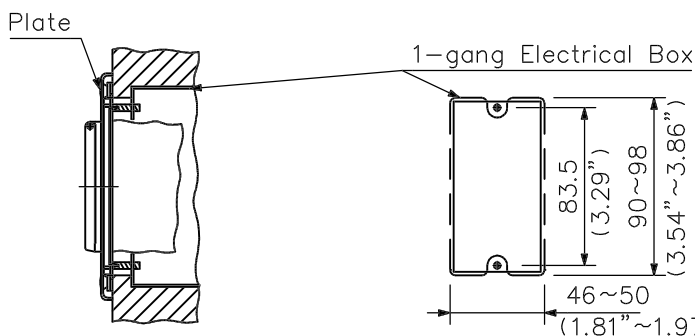
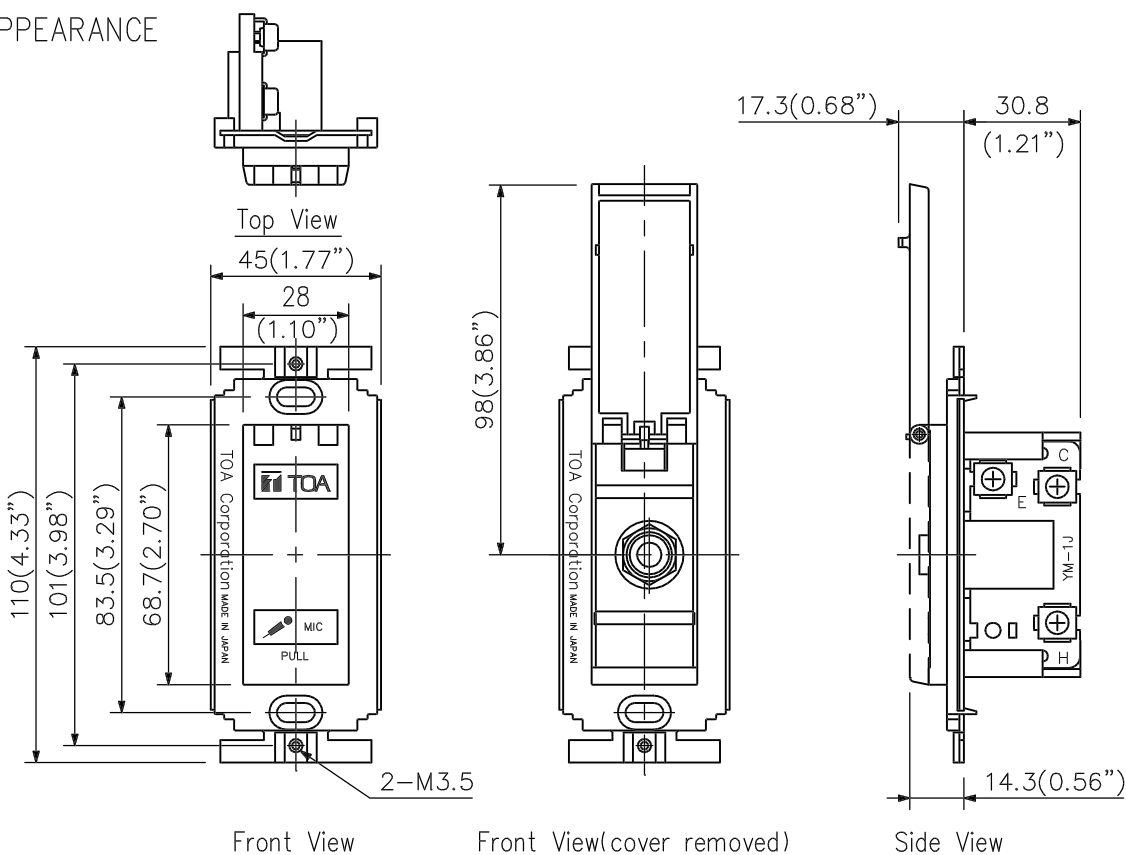
Jack	Double pole jack
Usable Cable	Microphone vinyl cable with sectional area of 0.75 ~ 2.0 mm ²
Usable Plate	YP-1AF
Usable Plug	Single or double pole plug
Finish	Cover : ABS resin (off white) Frame : Steel plate (t1.2)
Dimensions(WXHXD)	45(1.77") × 110(4.33") × 48.1(1.89") mm
Weight	750 g (1.65 lb.)
Accessory	Screw M4 × 35.....2

※When routing a power or speaker line and a microphone line through the same electric box, provide a barrier between the two for insulation.

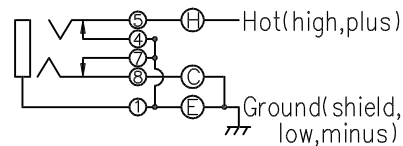
※For cables with sectional area of under 0.75 mm², fold back their cores to increase the sectional area before making a connection.

※H(hot), C(cold), and E(ground) are shorted. Therefore, mixers or amplifiers using phantom power cannot be used.

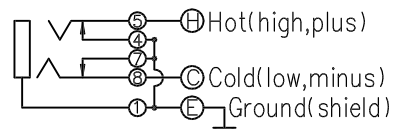
■ APPEARANCE



If the opening is too small or too large, the YM-1J cannot be mounted in the wall. Be sure to make an opening with dimensions given above when mounting.



Short C and E
Connection of unbalanced single pole plug



Connection of balanced double pole plug

UNIT:mm SCALE:1/2