

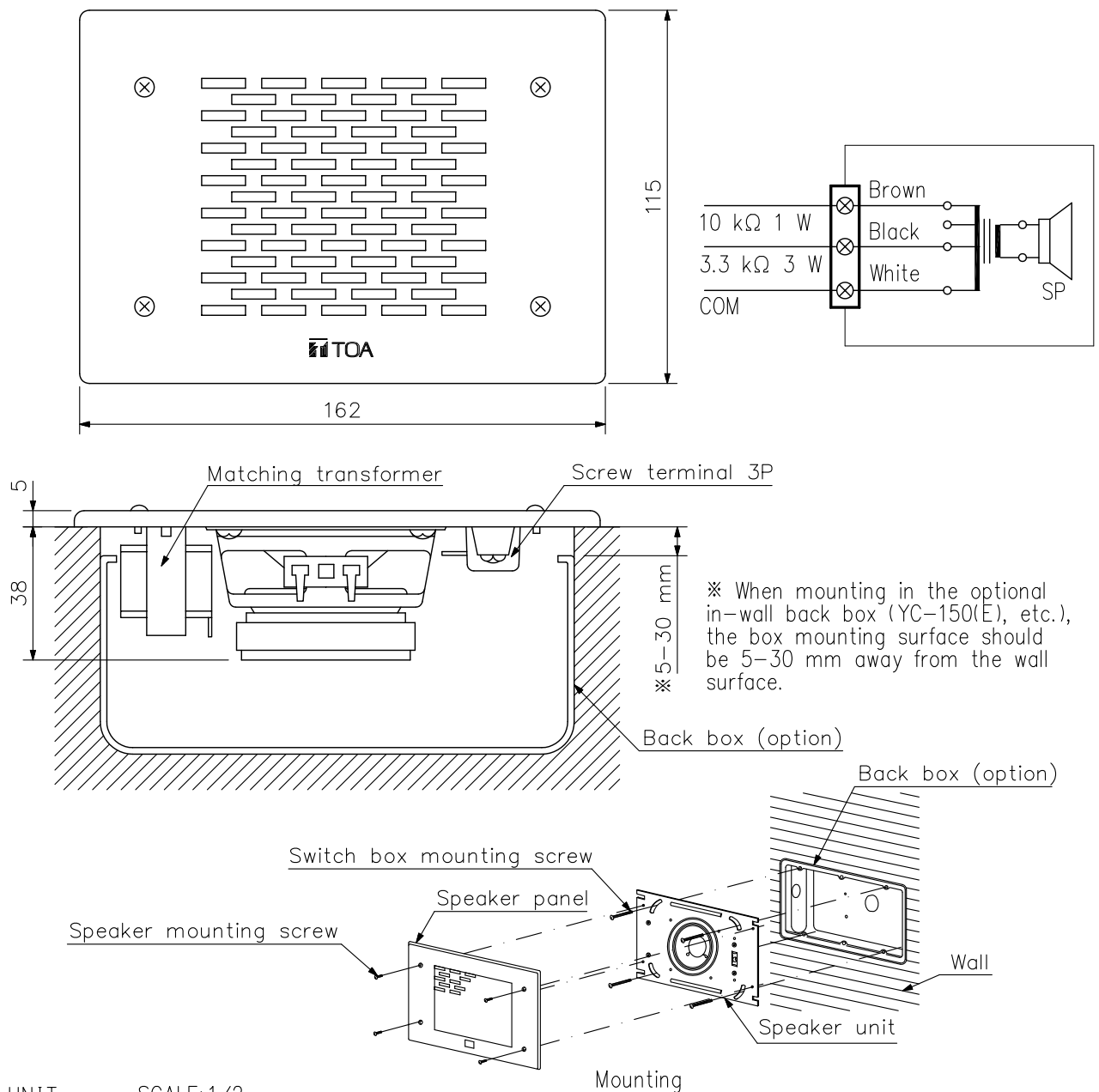
DESCRIPTION

The PC-391 is a small flush-mount wall speaker. Its ideal applications include hotel and hospital rooms, and reception counters in the banks and clinics.

SPECIFICATIONS

Rated Input	3 W
Rated Impedance	3.3 kΩ, 10 kΩ
Sound Pressure Level	90.7 dB (3 W, 1 m)
Frequency Response	150 Hz - 18 kHz
Speaker Component	7.7 cm cone-type speaker
Finish	Baffle: Stainless steel Grille: Aluminum, silver
Dimensions	162 (W) × 115 (H) × 43 (D) mm (excluding the projected screw heads)
Weight	560 g
Accessory	Switch box mounting screw4, Speaker mounting screw4, Wood screw4

APPEARANCE



UNIT:mm SCALE:1/2