

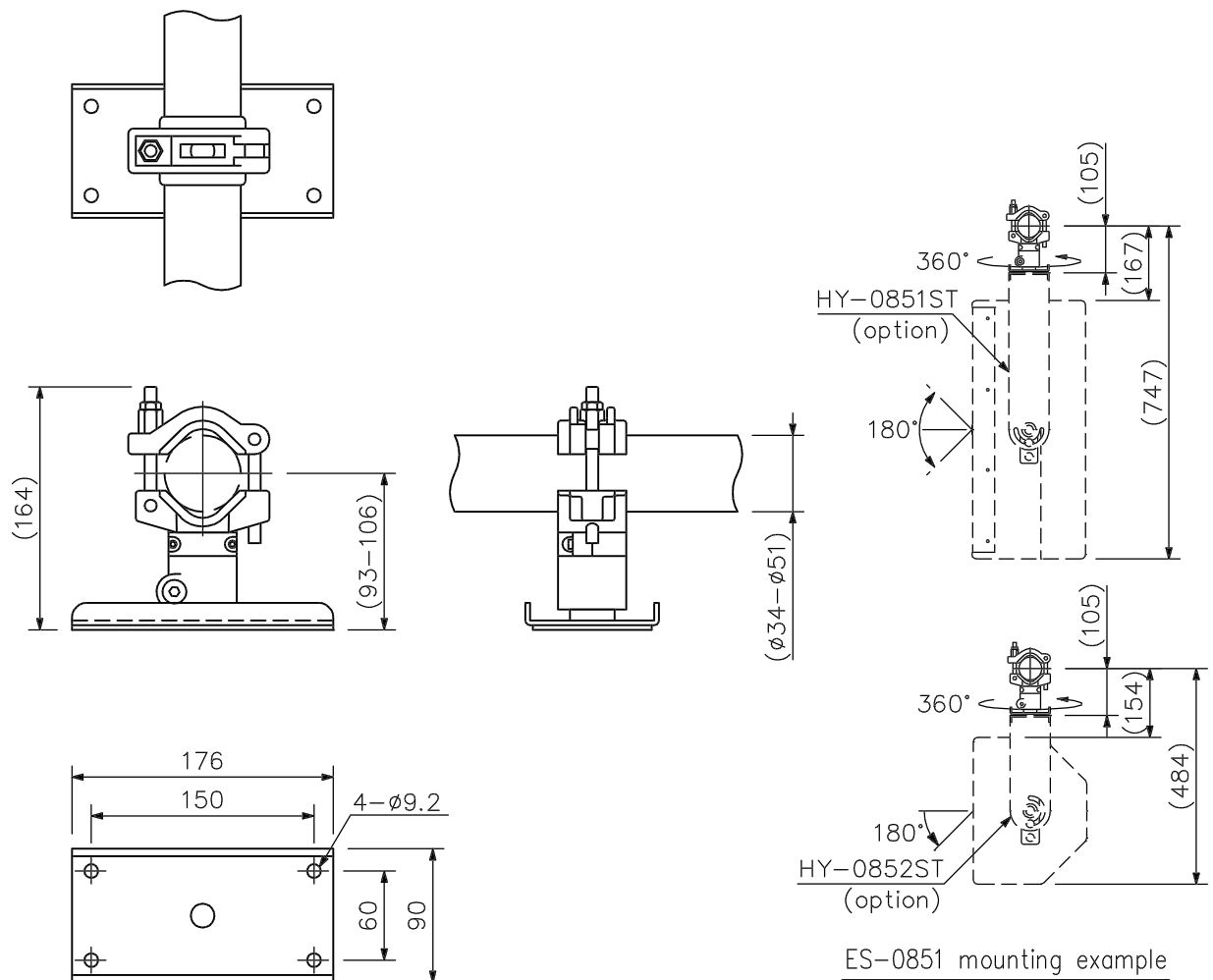
DESCRIPTION

The HY-B0801 Speaker Mounting Bracket is specially designed for hanging TOA's ES-0851 speaker system from a ceiling pipe. The HY-B0801 is used in combination with its optional speaker mounting bracket HY-0851ST or HY-0852ST.

SPECIFICATIONS

Usable Speaker	ES-0851
Finish	Rolled steel plate, black, semi-mat paint
Permissible Speaker Load	32 kg
Weight	1.9 kg
Accessory	Speaker mounting bolt 4
Option	Mounting bracket: HY-0851ST, HY-0852ST

APPEARANCE



UNIT:mm SCALE:1/5