

**TOA****CEILING MOUNT FIREDOME SPEAKER
5INCH 6W****PC-1860BS**

The PC-1860BS is certified according to the European Standard EN 54-24: 2008, and compliant with the British Standard BS 5839-8: 2008. DoP number is 19-010.

DESCRIPTION

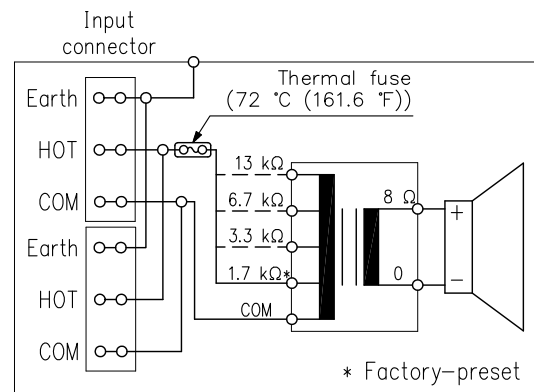
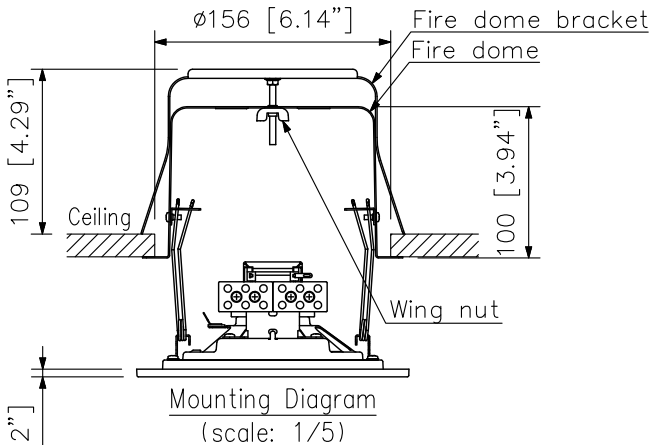
The PC-1860BS Ceiling Mount Speaker product is certificated EN 54-24 and BS 5839-8: 2008.

The PC-1860BS is suitable for announcement and music use in high quality sound cone speaker.

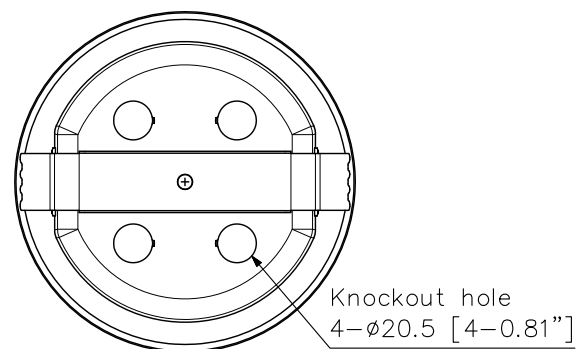
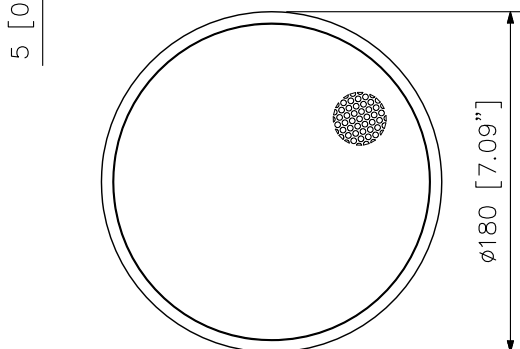
Speaker design that harmonize with venue's architecture and decor. This speaker equipped Fire Dome to protect and prevents the fire from spreading in the ceiling in case of an emergency situation.

SPECIFICATIONS

Rated Input	6 W (100 V line), 3 W (70 V line)
Rated Impedance	100 V line: 1.7 k Ω (6 W), 3.3 k Ω (3 W), 6.7 k Ω (1.5 W), 13 k Ω (0.8 W) 70 V line: 1.7 k Ω (3 W), 3.3 k Ω (1.5 W), 6.7 k Ω (0.8 W), 13 k Ω (0.4 W)
Sensitivity	95 dB (1 W, 1 m) (500 Hz - 5 kHz, pink noise) 93 dB (1 W, 1 m) (100 Hz - 10 kHz, pink noise) 81 dB (1 W, 4 m) (100 Hz - 10 kHz, pink noise)
Maximum Sound Pressure Level	100 dB (6 W, 1 m) (100 Hz - 10 kHz, pink noise) 88 dB (6 W, 4 m) (100 Hz - 10 kHz, pink noise)
Frequency Response	170 Hz - 20 kHz (peak -20 dB)
Coverage Angle (-6 dB)	Horizontal and Vertical: 165° (500 Hz), 175° (1 kHz), 165° (2 kHz), 70° (4 kHz) according to EN 54-24
Environmental type	A (indoor applications)
Speaker Component	12 cm (5") cone-type
Operating Temperature	-10 °C to +50 °C (14 °F to 122 °F)
Dimensions for Fixing Hole	Mounting hole: $\phi 156 \pm 3$ mm (6.14" \pm 0.12") Ceiling thickness: 5 - 25 mm (0.2" - 0.98")
Speaker Mounting Method	Spring catch
Applicable Cable	Solid wire: 0.8 - 6 mm ² (AWG 18 - 10)
Connection	2-Steatite connector (3 pole)
Finish	Frame: Steel plate, white (RAL 9016 equivalent), paint Grille: Steel net, white (RAL 9016 equivalent), paint Fire dome: Steel plate, black, paint
Dimensions	$\phi 180 \times 5$ (exposed section) + 100 (D) mm (7.09" \times 0.2" + 3.94")
Weight	1.1 kg (2.43 lb)
Accessory	Rubber grommet $\times 2$, Paper pattern $\times 1$

APPEARANCE

Note: Use transformer terminals when changing input impedance.



UNIT: mm SCALE: 1/4