

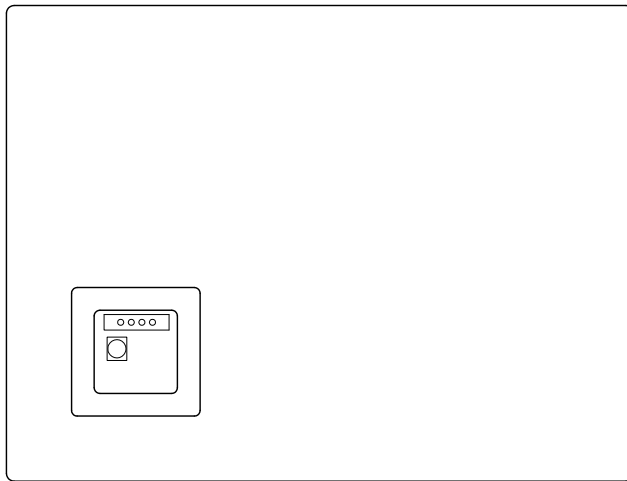
DESCRIPTION

Featuring high power, high quality, and rugged construction, the SR-L09 is a sub-woofer system that can be used for on-the-road applications as well as permanent installation. Recommended digital speaker processor is the DP-SP3 (option).

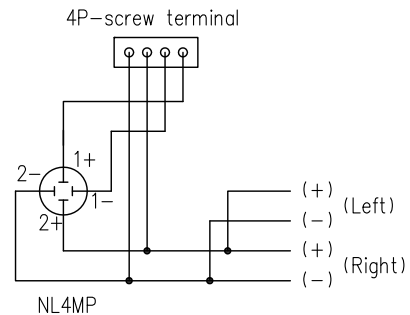
SPECIFICATIONS

Enclosure	Bass-reflex type
Power Handling Capacity	Continuous pink noise: 300 W Continuous program: 900 W
Rated Impedance	4 Ω
Sensitivity	96 dB (1 W, 1 m)
Frequency Response	35 Hz- 1 kHz
Crossover Frequency	125 Hz (when recommended parameters are applied by the optional DP-SP3)
Speaker Component	Low frequency: 38 cm cone-type X 2
Input Connector	Neutrik NL4MP and M5 screw terminal, distance between barriers: 12.2 mm
Finish	Enclosure: Plywood, black, paint Front grille: Steel plate, black, acrylic paint
Dimensions	829 (W) × 629 (H) × 606 (D) mm
Weight	67 kg

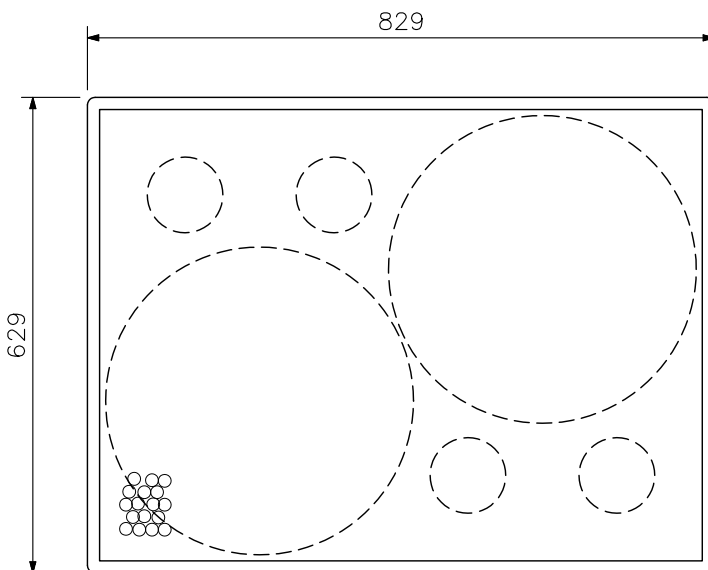
APPEARANCE



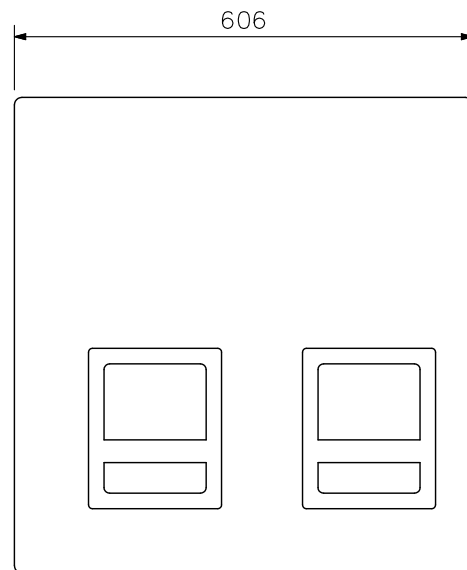
Rear View



Wiring Diagram



Front View



Side View

UNIT: mm SCALE: 1/10