

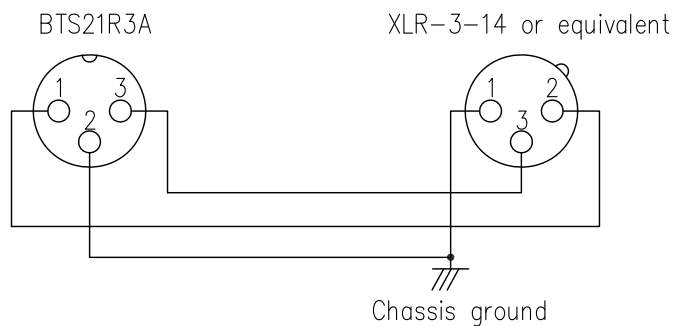
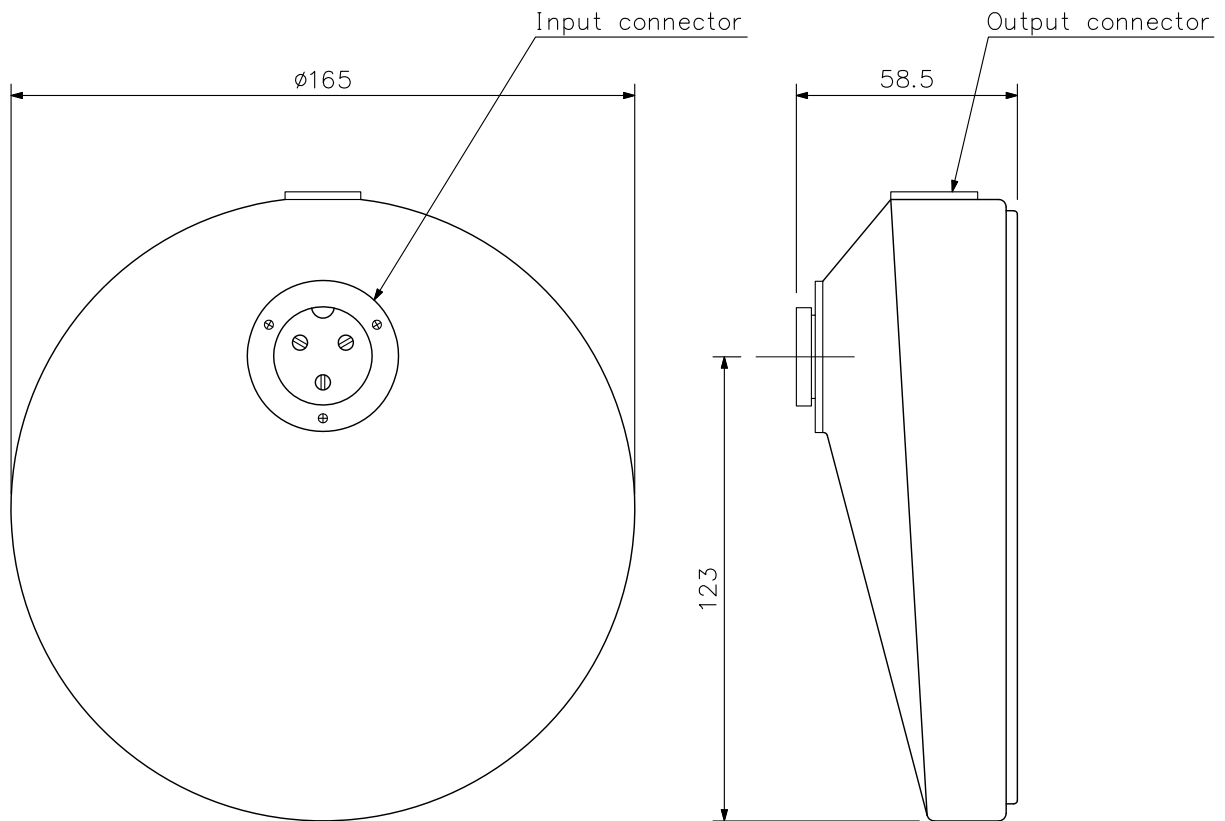
■ DESCRIPTION

A desktop microphone stand for gooseneck microphones (DM-524B and DM-524S).

■ SPECIFICATIONS

Input Connector	BTS21R3A
Output Connector	XLR-3-14 or equivalent
Usable Connector	Input: BTS21R3B Output: XLR-3-11C or equivalent
Finish	Zinc die-casting, black, paint
Dimensions	∅ 165 × 58.5 (H) mm
Weight	2.3 kg

■ APPEARANCE



UNIT: mm SCALE: 1/2