

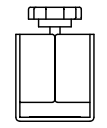
■DESCRIPTION

The SR-SA3 is designed to be used to mount the Line Array Speaker on a speaker stand.

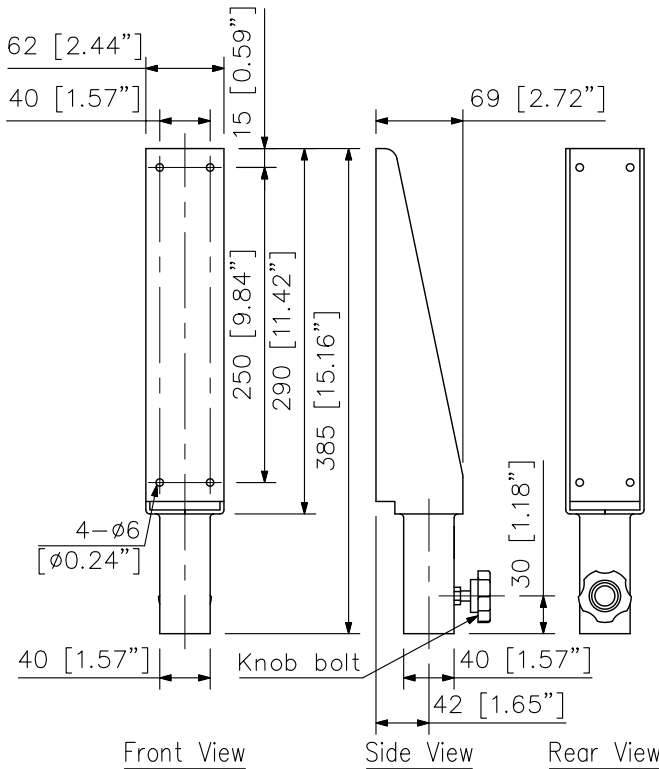
■SPECIFICATIONS

Applicable Speaker	SR-H3S, SR-H3L, SR-H2S, SR-H2L
Finish	Steel plate, black, paint
Dimensions	62 (W) × 385 (H) × 69 (D) mm (2.44" × 15.16" × 2.72")
Weight	1.4 kg (3.09 lb)
Accessory	Speaker mounting bolt (hex bolt M5 × 25 (with washer)) ×4
Applicable Stand (option)	ST-34B

■APPEARANCE



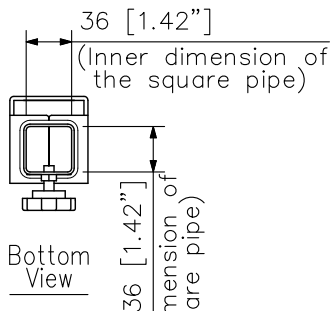
Top View



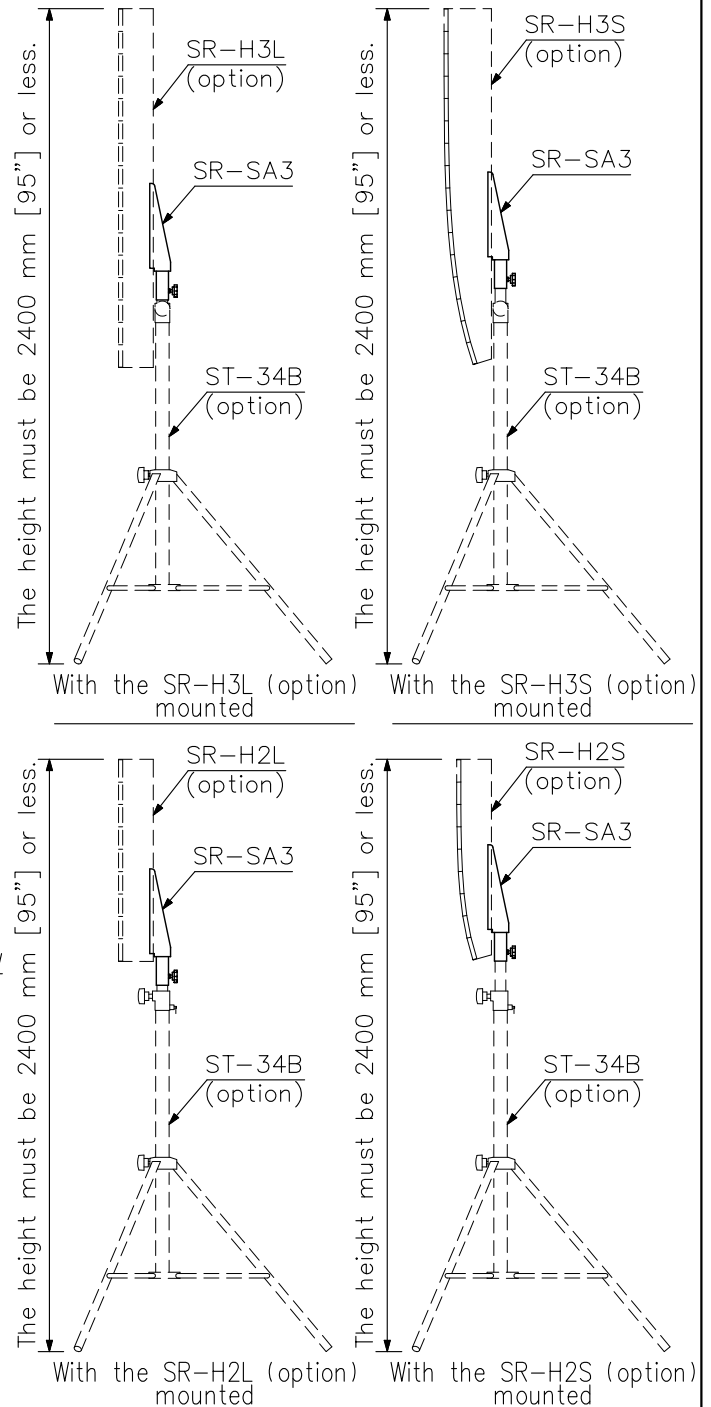
Front View

Side View

Rear View



Bottom View



The height must be 2400 mm [95"] or less.

The height must be 2400 mm [95"] or less.

With the SR-H3L (option) mounted

With the SR-H3S (option) mounted

The height must be 2400 mm [95"] or less.

The height must be 2400 mm [95"] or less.

With the SR-H2L (option) mounted

With the SR-H2S (option) mounted

Mounting example (scale: 1/25)

UNIT:mm SCALE:1/6