

■ DESCRIPTION

The WS-Z100L includes a lavalier wireless microphone WM-Z100L and a wireless receiver WTU-Z100. The WM-Z100L employs an electret condenser capsule. A buckle is fixed on the beltpack so that it can be conveniently slipped onto the belt. Using the UHF PLL-synthesizer system, there are 16 channels selectable. The channels are easily selected by turning the knob on the beltpack. The WTU-Z100 wireless receiver module is designed using the non-diversity system. The channels are selected using the buttons on the module. The volume of the wireless microphone can also be adjusted using the knob on the module.

■ SPECIFICATIONS

Product Composition	Lavaliere wireless microphone WM-Z100L ...1, Receiver module WTU-Z100 ...1
Carrier frequency range	UHF 665-681 MHz
Operating temperature	-10 °C to +50 °C

Wireless Microphone

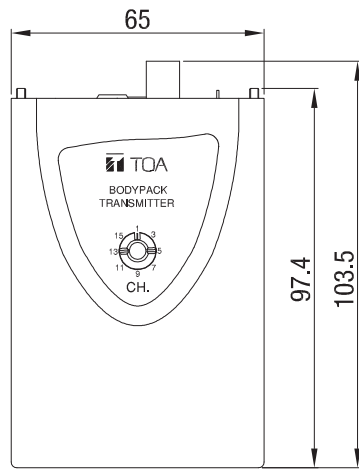
Design type	Lavaliere Microphone
Microphone capsule	Condenser
Channel selectable	Preset 16 Channels
Frequency stability	±0.005%
RF output power	10mW MAX.
Current consumption	120mA±10mA
Frequency response	100Hz~15KHz
Finish	Resin, Dark Gray
Antenna	External antenna
Dimension	65(W) x 103.5(H) x 38.5(D) mm
Battery	1.5V x2 or 1.2V x2 (AA UM-3)
Weight	149.5 g (with battery)

Receiver module

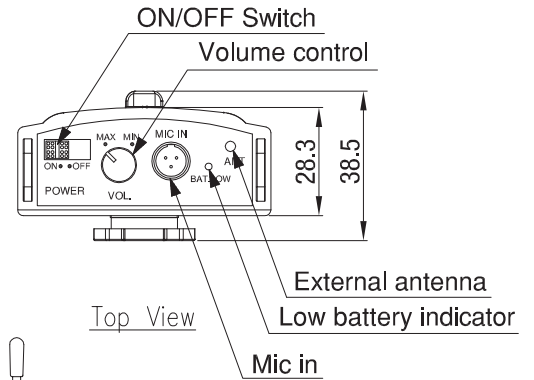
Channel selectable	Preset 16 Channels
Frequency stability	±0.005%
Deviation	±40KHz, with level limiting circuit controlled
Dynamic range	80dB overall
S/N Ratio	>90dB
T.H.D	<0.5%
Frequency response	100Hz~15KHz (±3dB)
Wireless Transmitter Ratio	Approx. 10mW
Color	Black
Dimension	85(W) x 32(H) x 148(D) mm
Weight	75.4 g

DESCRIPTION

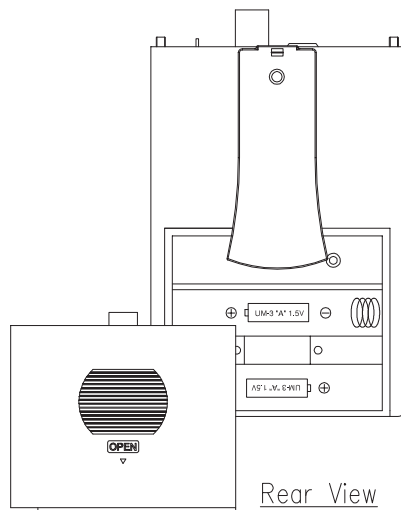
Wireless Microphone



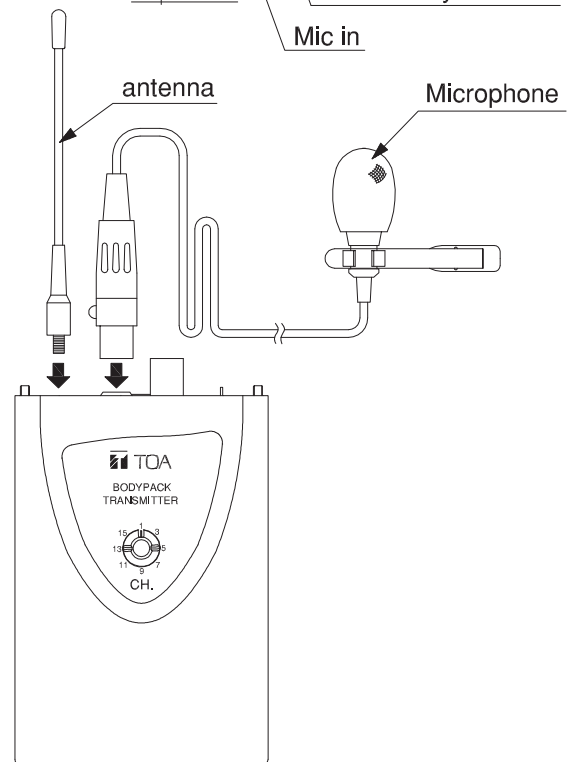
Front View



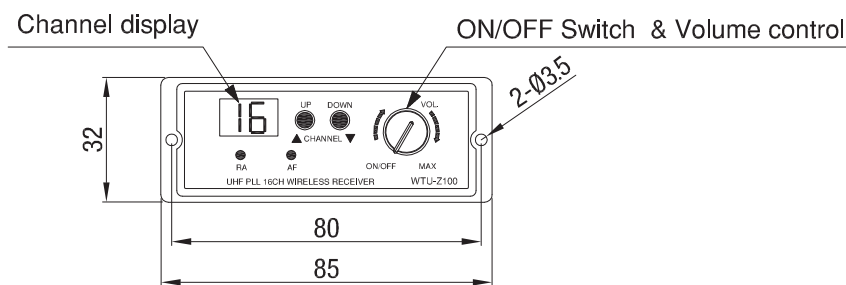
Top View



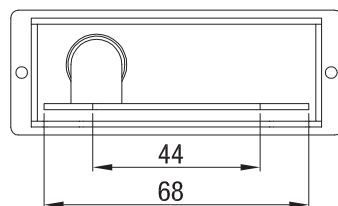
Rear View



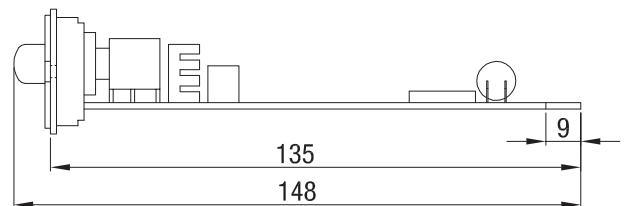
Receiver Module



Front View



Rear View



Side View