

## ■ SPECIFICATIONS

Product Composition	Handheld wireless microphone ...1 , Receiver...1
Frequency Range	506 - 937.5 MHz (*1), UHF
Channel Selectable	Up to 16 channels (depending on region)
Tunable Frequencies	25kHz Steps
Pilot tone	32.768kHz
Total Harmonic Distortion	<1% @ 1kHz
Function	IR sync,Channel scan,Battery life indicator
Accessory	AC adapter (*2) ...1
	Microphone holder W5/16" ...1

### Wireless microphone

Microphone Element	Dynamic with cardioid pattern
RF Carrier Power	10mW
Audio Frequency Response	80 - 15000 Hz
Audio input Level	140dB SPL (maximum)
Modulation System	PLL synthesizer
Battery	1 AA size alkaline battery, 1.5 V
Battery Life	Approx. 10 hours
Indicator	Battery status LED , 7 segments LED
Finish	Resin , coating
Dimensions	approx. 250 x 50 mm
Weight	approx. 245 g (with battery)

### Wireless receiver

Diversity Reception	AC mains (supplied AC-DC adapter must be used)
Sensitivity	10uV at 45dBA S/N
Squelch(SQ)	Tone SQ,Carrier SQ,Noise SQ
Audio Frequency Response	50 - 15000Hz
Audio Output Level (Maximum)	S4.10-RXA Balanced (XLR socket) : 16dBu Un-balanced (1/4" jack socket) : 10dBu
Power Supply	11-18 VDC 300mA
Dimensions	215(W) x 39(H) x 102(D) mm (excluding antenna and BNC)
Weight	480g

(\*1)

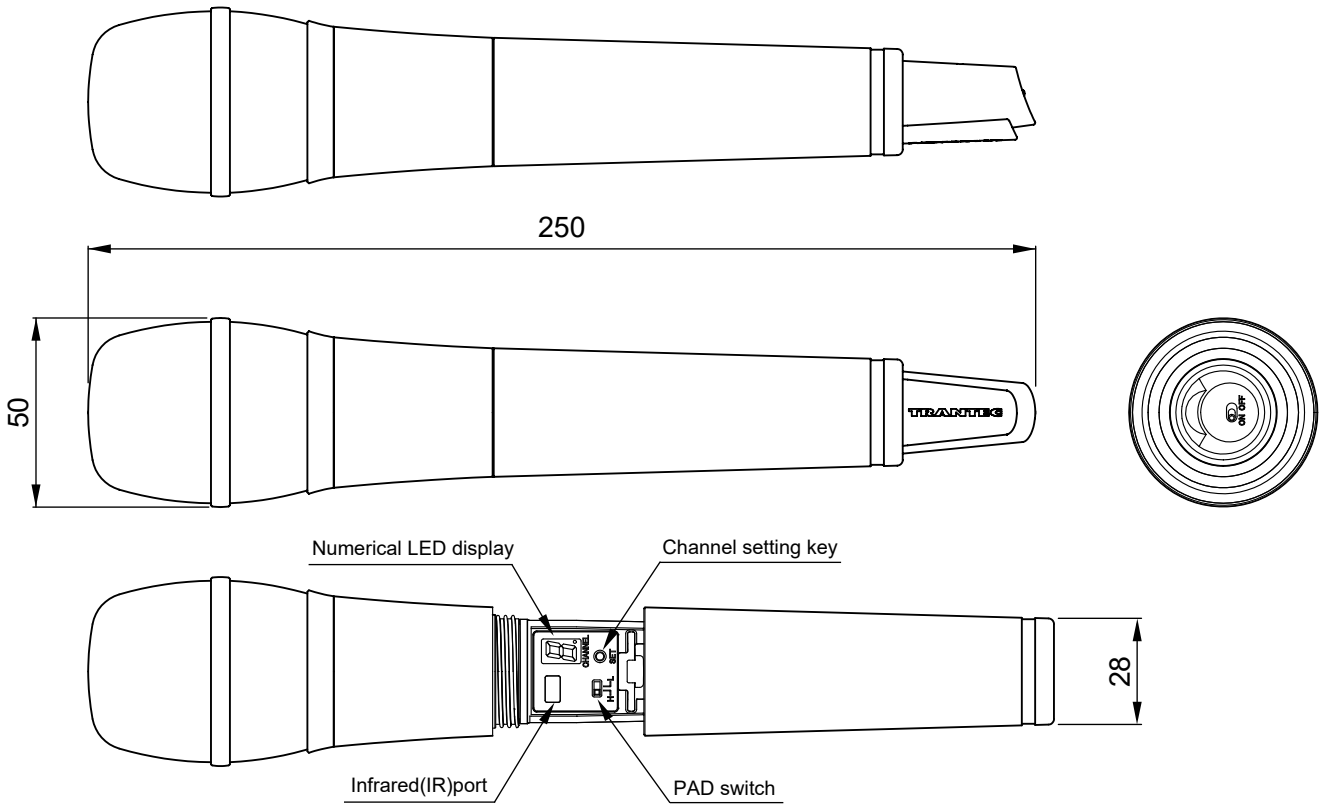
Band	Frequency
B	720 - 758 MHz, UHF
C	785 - 832 MHz, UHF
D	836 - 866 MHz, UHF
E	671 - 701 MHz, UHF
F	633 - 671 MHz, UHF
G	603 - 633 MHz, UHF
H	576 - 603 MHz, UHF
K	902 - 938 MHz, UHF

(\*2)

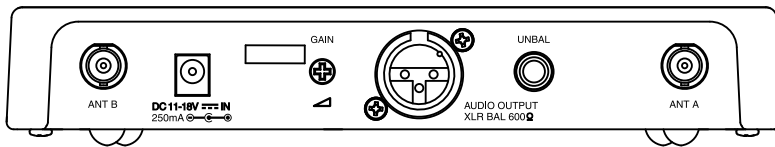
Version	AC Adapter
G (UK)	220 - 230 V AC , 50Hz
E (ER)	230 V AC , 50Hz
T (US)	120 V AC , 50Hz
A (AS)	240 V AC , 50Hz
R (US)	120 V AC , 60Hz
C (CH)	220 V AC , 50Hz

**■ APPEARANCE**

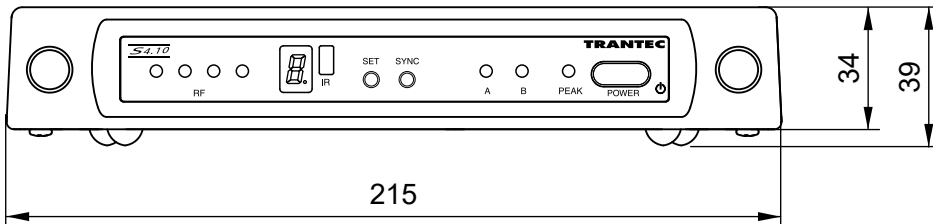
Wireless Microphone



Wireless Receiver



Rear View



Front View

SideView

