

DESCRIPTION

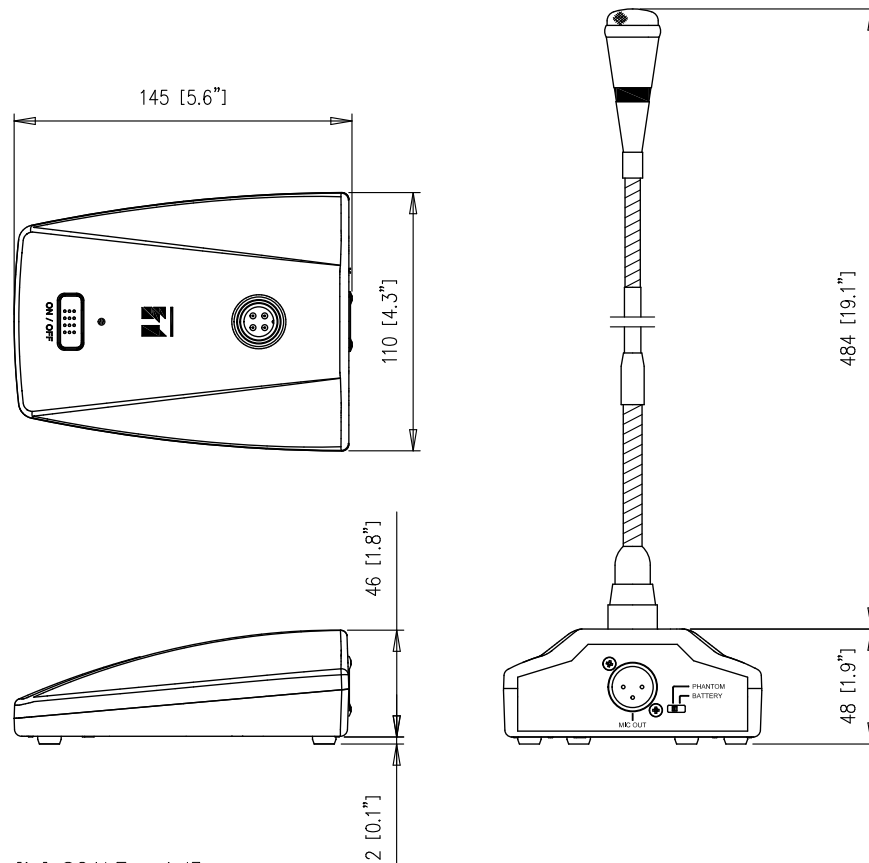
The EM-380-AS is a unique shape and high quality condenser microphone designed for use in lecture halls, house of worship, and paging applications. This product be equipped optional power that selectable between battery or phantom power. This product can be used easily, just plugged into amplifier, start speech, and feel the clarity your voice.

SPECIFICATIONS

Element	Condenser Microphone
Polar Pattern	Cardioid
Rated Impedance	750Ω, Balance
Rated Sensitivity	-41dB ±3dB (1 kHz 0dB=1V/Pa)
Power	3V DC (2 x "AA" batteries) or Phantom power (9 - 52V)
Frequency Response	50 Hz - 16,000 Hz
Output Connector	XLR-3-32 Equivalent
Operating Temperature	0 °C - 40 °C (32 °F - 104 °F)
Finish	Stand Mic : ABS Resin, Black, Paint Mic shaft : Copper alloy, Black, Paint
Dimensions	110 (W) x 145 (L) x 532 (H) mm (4.3" x 5.7" x 20.9")
Weight	550 g (exclude batteries)
Accessory	Windscreen .... 1, XLR to Phone Jack Cable (7.5m) ....1

Note: Prepare 2 batteries (not supplied with the unit)

APPEARANCE



UNIT : mm [in] SCALE : 1/3