

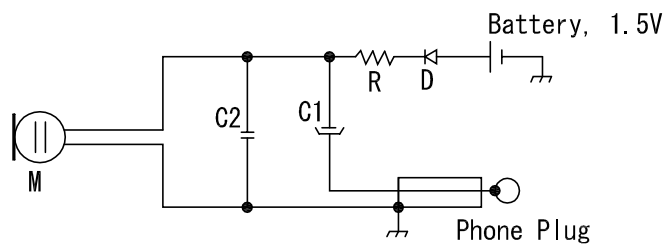
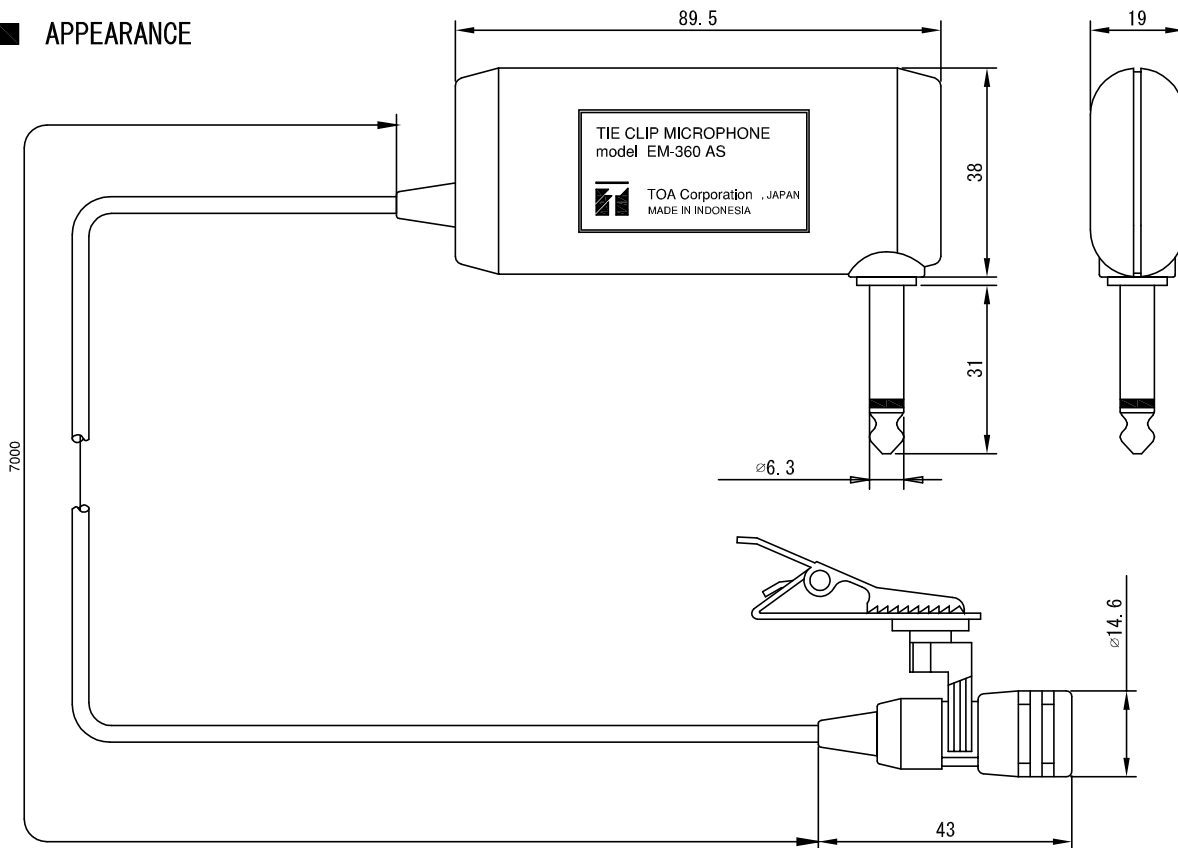
DESCRIPTION

The EM-360 AS is a Tie-clip Microphone employs electret condenser type microphone, featuring high intelligibility and suitable for speech application.

SPECIFICATION

Type	Electret Condenser Microphone
Directivity	Unidirectional
Rated Impedance	2k ohms, unbalanced
Rated Sensitivity	-48 dB (1kHz, 0dB = 1 V/Pa)
Frequency Response	100 Hz - 16 kHz
Cable length	7 m (shield wire 1x7/0.16mm, black)
Material color	ABS Black
Mounting	Clip for Holder
Dimensions	38 X 89.5 X 19 mm (microphone body)
Weight	131 g
Battery	1pc of "AA" (R6S or UM-3U)

APPEARANCE



CIRCUIT DIAGRAM

UNIT: mm SCALE: 1/1