

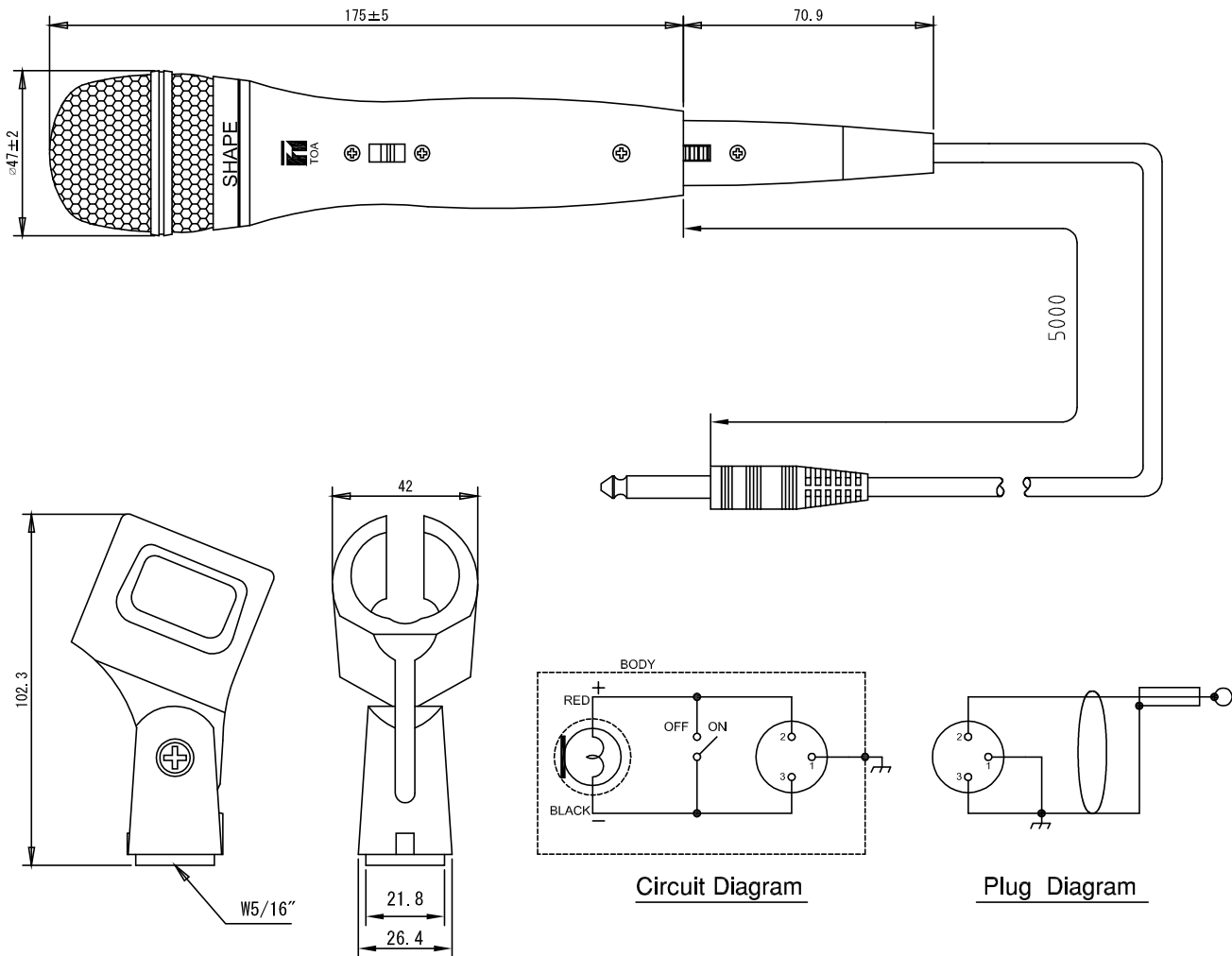
■ DESCRIPTION

The DM-270 AS is a moving coil type microphone featuring high intelligibility suitable for vocal application

■ SPECIFICATION

| | |
|--------------------|--|
| Type | Moving coil microphone |
| Directivity | Unidirectional |
| Rated Impedance | 600 ohms, balanced |
| Rated Sensitivity | -52 dB (1kHz, 0dB = 1 V/Pa) |
| Frequency Response | 100 Hz - 15 kHz |
| Connection Cable | Separate type |
| Cable length | 5 m |
| Connector | XLR-3 type |
| Talk Switch | Short-off, slide switch |
| Finish | Body : Die-cast aluminium, black |
| | Head : Die-cast aluminum/zinc-plated steel wire, black |
| Dimensions | ∅47 X 175 mm (microphone body) |
| Weight | 300 g (without connection cable) |
| Accessories | Microphone holder (W 5/16" 18 thread) |

■ APPEARANCE



UNIT: mm SCALE: 1/2